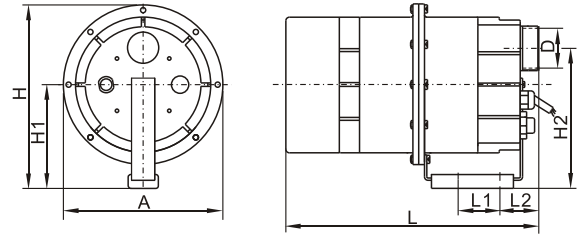
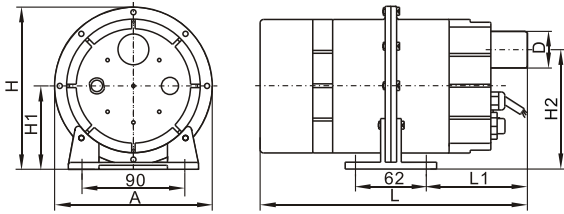


## Overall dimension



Model	Shape size (mm)									
	smooth outlet			threaded Outlet			A	H	H1	H2
	L	L1	D	L	L1	D				
AP200/300/400X/700X-V2	262	88.5	φ32	247	73.5	G1½	φ138	142	73	105
AP200/300-V1	234	88.5	φ32	219	73.5	G1½	φ138	142	73	105
AP400/700/900-V2	276	97	φ32	269	90	G1½	φ168	171	87	124
AP400/700/900-V1	249	97	φ32	242	90	G1½	φ168	171	87	124

Model	Shape size (mm)										
	smooth outlet			threaded Outlet			L1	A	H	H1	H2
	L	L2	D	L	L2	D					
AP200/300/400X/700X-V2	262	54	φ32	247	34.5	G1½	36	φ138	151	82	114
AP200/300-V1	234	54	φ32	219	34.5	G1½	36	φ138	151	82	114
AP400/700/900-V2	276	50.5	φ32	269	42.5	G1½	52.5	φ168	179	95	130
AP400/700/900-V1	249	50.5	φ32	242	42.5	G1½	52.5	φ168	179	95	130

1. D in fig. is thread connection that union of φ32 and φ33.5 available
2. D in fig. is direct connection that only φ32 and φ33.5 available.



EN 60335-1  
EN 60335-2-60  
EN 62233  
EN60335-2-80

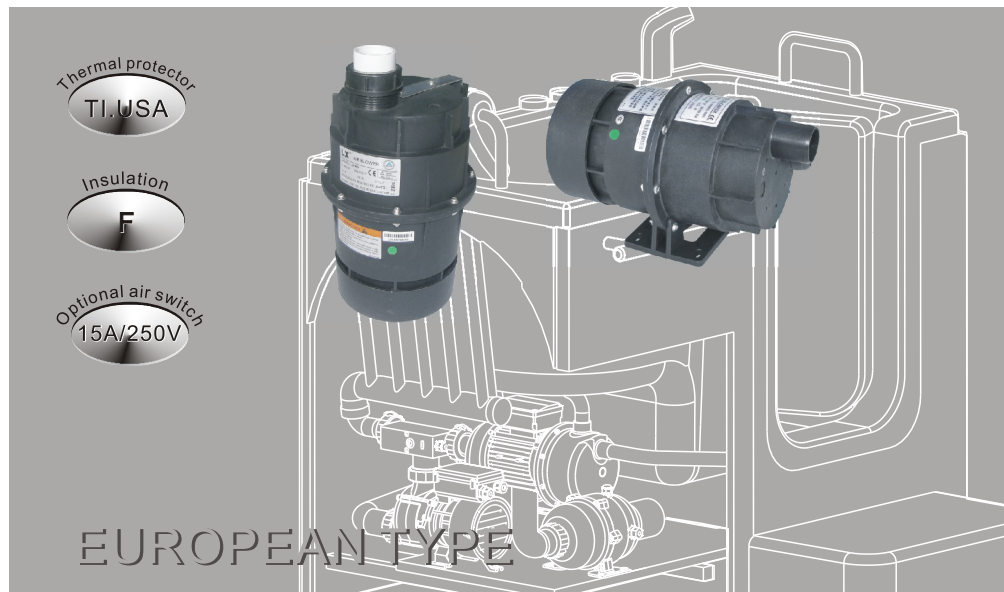
## SAA

AS/NZS 60335.1  
AS/NZS 60335.2.60

Thermal protector  
TI, USA

Insulation  
F

Optional air switch  
15A/250V



## Technical parameter list

Model	Power W	(Amps)		Max Pressure (Mpa)	Air volume (m³/min)	Noise Level dB(A)	Jets Qty (pc)	Recommended water depth (m)	G.W (Kg)	Packing size (mm)
		110-120V	220-240V							
AP200-V2	200	2.0	1.2	0.006	0.8	<63	6~12	0.3	2.0	290×155×175
AP300-V2	300	3.0	1.7	0.009	1.2	<65	8~16	0.4	2.0	290×155×175
AP400X-V2	400	4.0	2.5	0.014	1.5	<69	12~24	0.6	2.0	290×155×175
AP700X-V2	700	7.0	3.3	0.022	1.85	<71	16~32	0.8	2.0	290×155×175
AP400-V2	400	4.0	2.5	0.014	1.65	<68	12~24	0.6	2.8	300×190×215
AP700-V2	700	7.0	3.3	0.018	2.0	<70	16~32	0.8	2.8	300×190×215
AP900-V2	900	9.0	4.5	0.025	2.4	<74	20~40	1.0	2.8	300×190×215
AP200-V1	200	2.0	1.2	0.008	1.1	<64	6~12	0.3	1.8	260×155×175
AP300-V1	300	3.0	1.7	0.011	1.3	<66	8~16	0.4	1.8	260×155×175
AP400-V1	400	4.0	2.5	0.015	1.7	<70	12~24	0.6	2.6	275×185×205
AP700-V1	700	7.0	3.3	0.020	2.2	<72	16~32	0.8	2.6	275×185×205
AP900-V1	900	9.0	4.5	0.025	2.4	<76	20~40	1.0	2.6	275×185×205



Recirculation of water in Bathtub pump



Recirculation of water in SPA equipment

## Working conditions

Transmission Medium: Dry air  
Environmental temperature: ≤40°C  
Max. working pressure: 0.1MPa

NO.	Name
1	cross raised head screw assembling
2	Cable head
3	Union components
4	Upper part of housing
5	O-Ring
6	On shell pads
7	Fuse
8	Motor
9	Pad under the shell
10	Bottom part of housing
11	Hexagonal Nut
12	Air intake filter sponge
13	Air cover
14	Cross recessed pan head tapping screws

NO.	Name
15	Handle
16	Shock pad

