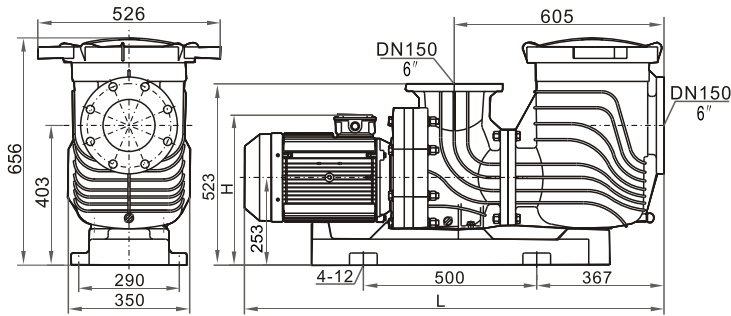


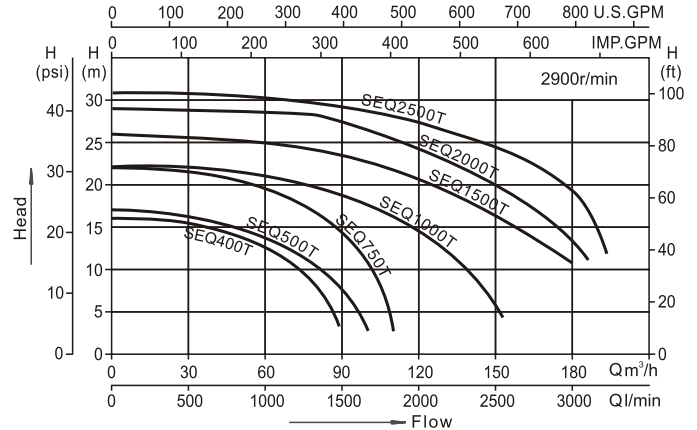
Overall dimension



Model	L	H
SEQ400T	1155	414
SEQ500T		
SEQ750T		
SEQ1000T		
SEQ1500T	1210	433
SEQ2000T		
SEQ2500T		

If you need cast aluminum foot, please contact our sales staff.

Performance curves



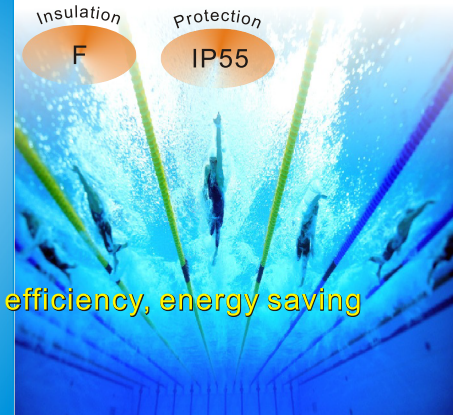
ERP547



Recirculation of water in swimming pool equipment



Large flow, high efficiency, energy saving



Insulation F Protection IP55

Technical parameter list

Model	Qmax (L/min)	Hmax (m)	Power(P1)		V/Hz	(Amps)	Inlet/outlet	G.W (Kg)	Packing size (mm)
			kW	HP					
SEQ400T	1480	16	3.0	4	380/50	5.9	DN150(6")	88.5	1200×515×800
SEQ500T	1680	17	4.0	5	380/50	6.8	DN150(6")	88.5	1200×515×800
SEQ750T	1830	22	5.5	7.5	380/50	10.3	DN150(6")	91.5	1200×515×800
SEQ1000T	2560	22	7.5	10	380/50	12.7	DN150(6")	95	1200×515×800
SEQ1500T	3000	26	11	15	380/50	20.1	DN150(6")	129	1290×515×800
SEQ2000T	3100	29	15	20	380/50	26.7	DN150(6")	137	1290×515×800
SEQ2500T	3300	31	18.5	25	380/50	30.3	DN150(6")	144	1290×515×800

Feature

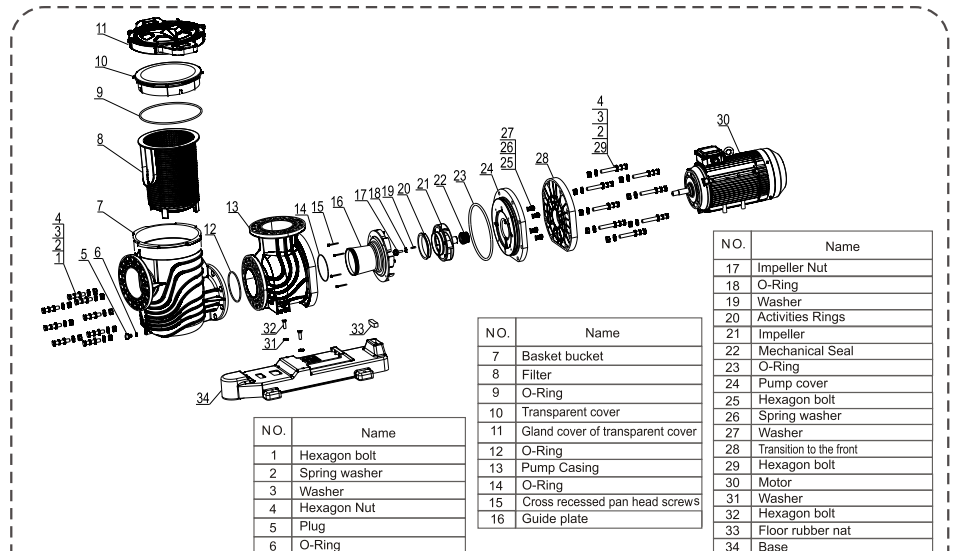
- * Inlet and outlet flange are national standard DN150. It also can be adapted to American ANSI.B16.5 flange standard .
- * Integrated plastic mounting base plate is provided as standard, and cast aluminum foot is optional.
- * High efficient motor, Energy saving, Long life.

Application

- * Long safety operation under 75°C medium, applicable to natural Hot Spring water circulation.
- * Compatible large water world, aquarium and large swimming pool.

Working conditions

Medium temperature: 0~+75°C
 Environmental temperature: ≤+50°C
 Max. Working pressure: 0.7MPa



NO.	Name
1	Hexagon bolt
2	Spring washer
3	Washer
4	Hexagon Nut
5	Plug
6	O-Ring

NO.	Name
7	Basket bucket
8	Filter
9	O-Ring
10	Transparent cover
11	Gland cover of transparent cover
12	O-Ring
13	Pump Casing
14	O-Ring
15	Cross recessed pan head screws
16	Guide plate

NO.	Name
17	Impeller Nut
18	O-Ring
19	Washer
20	Activities Rings
21	Impeller
22	Mechanical Seal
23	O-Ring
24	Pump cover
25	Hexagon bolt
26	Spring washer
27	Washer
28	Transition to the front
29	Hexagon bolt
30	Motor
31	Washer
32	Hexagon bolt
33	Floor rubber nat
34	Base