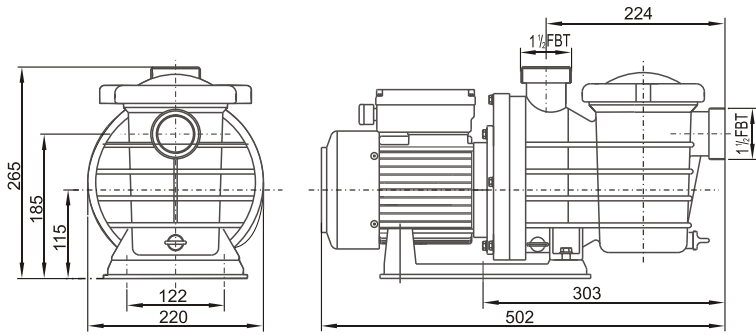
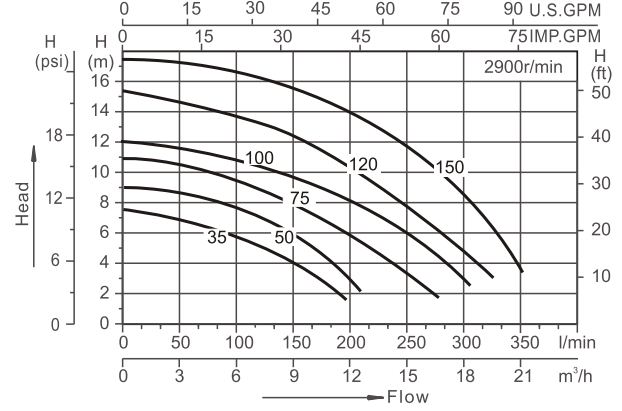


Overall dimension

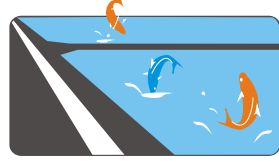


Performance curves

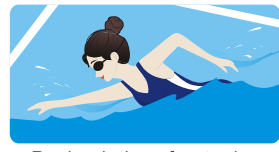


EN 60335-1
EN 60335-2-41
EN 62233
ERP547

EUROPEAN TYPE



Mariculture circulation filter



Recirculation of water in swimming pool equipment

Technical parameter list

Model	Qmax (l/min)	Hmax (m)	V/Hz	Power(P1)		(Amps)	Fitting size (mm)	G.W (Kg)	Packing size (mm)
				kW	HP				
SMP35	190	7.5	220-240/50	0.25	0.35	1.6	48.5or50	8.1	535×255×325
SMP50	220	9	220-240/50	0.37	0.5	2.0	48.5or50	9.3	535×255×325
SMP75	280	11	220-240/50	0.55	0.75	3.2	48.5or50	10.6	535×255×325
SMP100	310	12	220-240/50	0.75	1.0	3.8	48.5or50	11.4	535×255×325
SMP120	340	15.5	220-240/50	0.9	1.2	4.6	48.5or50	11.8	535×255×325
SMP150	350	17.5	220-240/50	1.1	1.5	5.8	48.5or50	12.8	535×255×325

230V/60Hz, 110V/60Hz, 110V/50Hz models are available on request

Working conditions

Medium temperature: 5-50°C
Environmental temperature: ≤50°C
Max.working pressure: 0.3MPa

NO.	Name	NO.	Name	NO.	Name
1	Tie-in Nut	15	O-Ring	19	O-Ring
2	Tie	16	Flat Key	20	Pump Cover
3	O-Ring	17	Impeller	21	Pad
4	Drainage Plug	18	Mechanical seal	22	Hexagon screw
5	O-Ring			23	Hexagon screw
6	Pump Casing			24	Motor
7	Filter			25	Block Gine
8	O-Ring			26	Base
9	Transparent cover			27	Hexagon screw
10	Gland cover of transparent cover				
11	Rubber gasket				
12	Difusser				
13	Impeller Nut				
14	Spring washer				