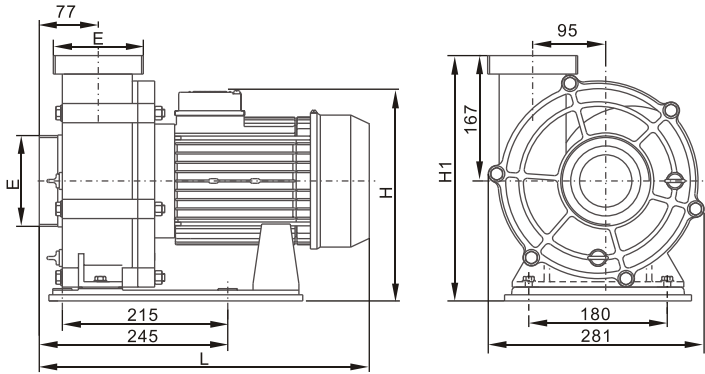
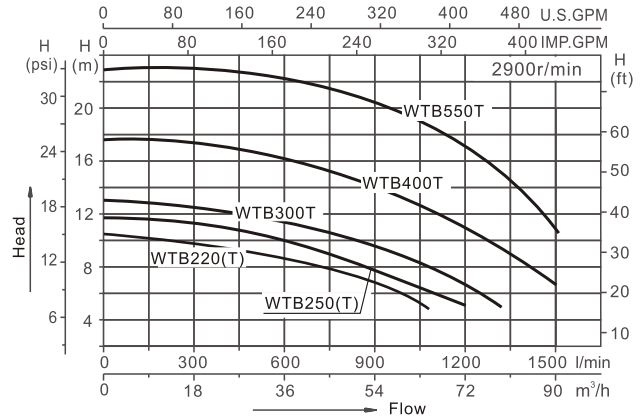


## Overall dimension

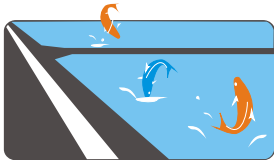
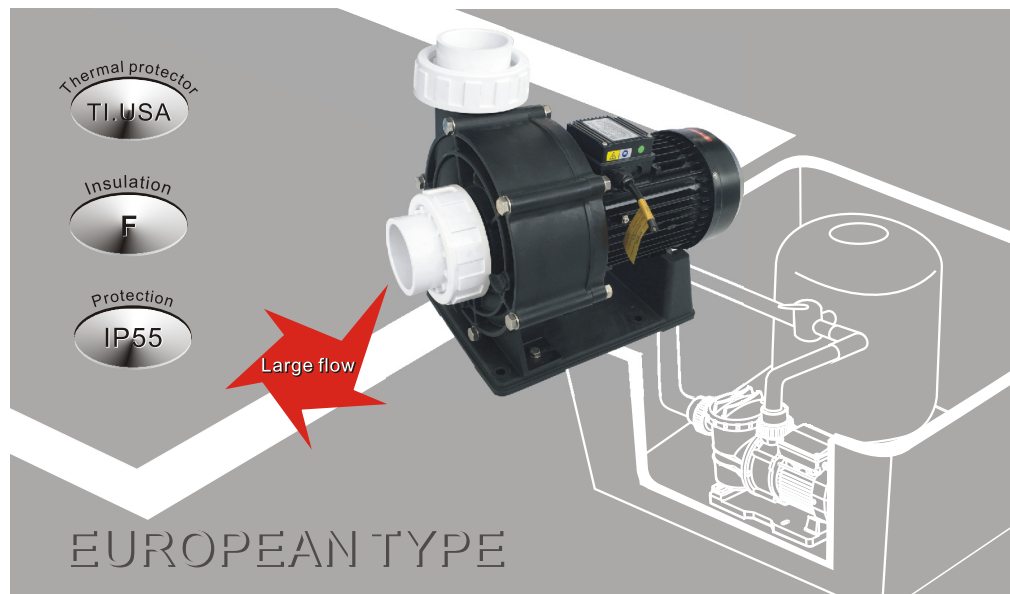


Model	L	H	H1	E
WTB220	412	274	323	
WTB250	412	274	323	G2 <sup>3/4</sup>
WTB250T	412	274	323	G4
WTB300T	412	274	323	4.5BUTT
WTB400T	429	274	323	
WTB550T	469	316	335	

## Performance curves



EN 60335-1  
EN 60335-2-41  
EN 62233  
ERP547



Mariculture circulation filter



Swimming Pool  
Countercurrent Training

## Technical parameter list

Model	Qmax (l/min)	Hmax (m)	Power(P <sub>1</sub> )		(Amps)		Fitting size(mm)			G.W (Kg)	Packing size (mm)
			kW	HP	220V/50Hz	380V/50Hz	2.5"	3"	4"		
WTB220(T)	1100	11	2.2	3.0	10	4.1				23.2	445×310×360
WTB250(T)	1210	11.5	2.5	3.5	13.7	4.9	73	88.9	110	24.4	445×310×360
WTB300T	1300	13	3.0	4.0	—	5.6	75	90	114.3	23.9	445×310×360
WTB400T	1500	17.5	4.0	5.5	—	7.0	76			25.6	475×310×360
WTB550T	1500	23	5.5	7.5	—	9.6				28	510×315×400

## Working conditions

Medium temperature: 5~50°C  
Environmental temperature: ≤50°C  
Max. working pressure: 0.3MPa

NO.	Name	NO.	Name	NO.	Name
1	Tie-in Nut	12	Flat Key	19	Pump Cover
2	Tie	13	O-Ring	20	Nut
3	O-Ring	14	Impeller	21	Motor
4	Injection or Drainage Plug	15	Mechanical Seal	22	Plastic strips
5	O-Ring	16	Hexagon screw	23	Hexagon screw
6	Hexagon screw	17	Seal gasket	24	Washer
7	Washer	18	O-Ring	25	Base
8	Pump Casing				
9	O-Ring				
10	Impeller Nut				
11	Light Spring pad				

