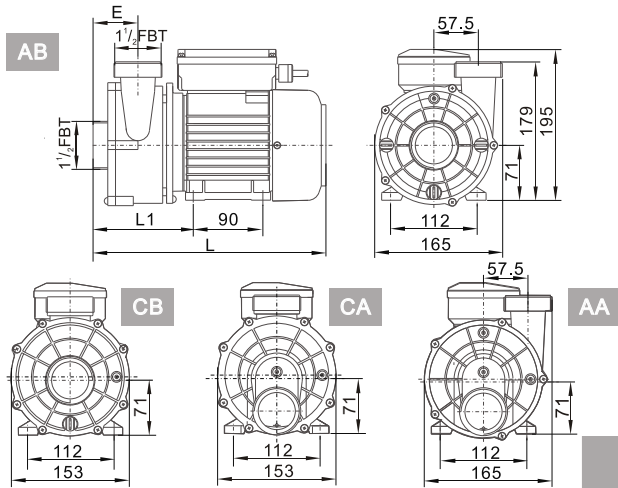
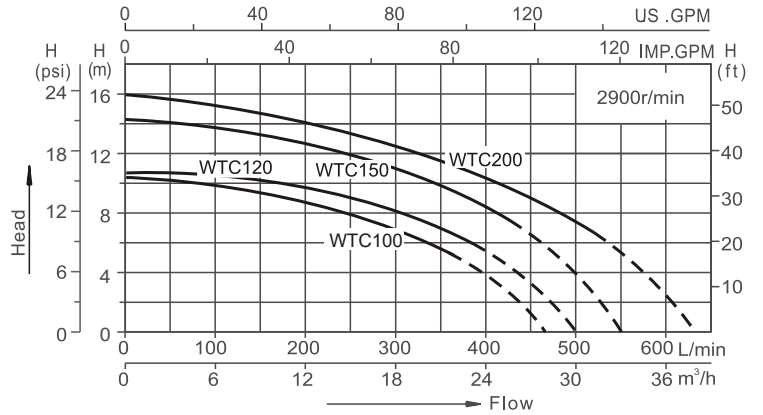


Overall dimension

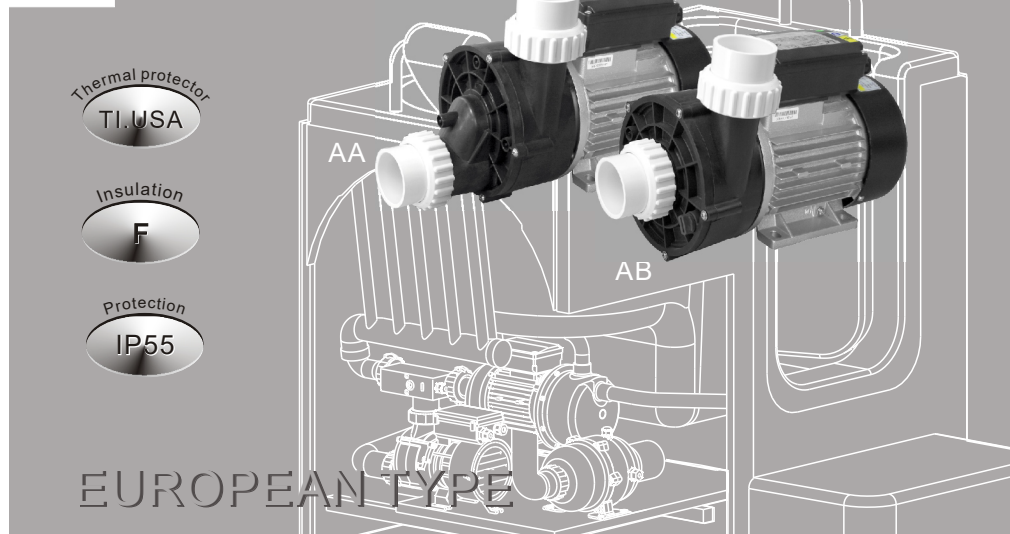


Performance curves

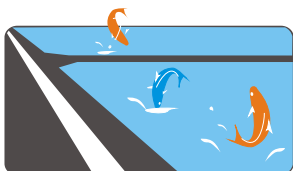


Model	Pump type	Shape size (mm)		
		E	L	L1
WTC100	AA	97	339	169
	CA	102	339	169
	AB	60	302	132
	CB	65	302	132
WTC120	AA	97	336	169
	CA	102	336	169
	AB	60	302	132
	CB	65	302	132
WTC150	AA	97	336	169
	CA	102	336	169
	AB	60	302	132
	CB	65	302	132
WTC200	AA	97	336	169
	CA	102	336	169
	AB	60	302	132
	CB	65	302	132

A variety of inlet and outlet are optional.



EN 60335-1
EN 60335-2-41
EN 60335-2-60
EN 62233
ERP547



Mariculture circulation filter

Working conditions

Medium temperature: 5-50°C
Environmental temperature: ≤50°C
Max. working pressure: 0.3MPa

Technical parameter list

Model	Qmax (l/min)	Hmax (m)	V/Hz	Power(P1)		(Amps)	Fitting size (mm)	G.W (Kg)	Packing size (mm)
				kW	HP				
WTC100	460	10.5	220-240/50	0.75	1.0	3.8	48.5or50	7.5	AA CA 365×190×250 AB CB 325×190×250
WTC120	520	11.5	220-240/50	0.9	1.2	4.6	48.5or50	8.6	AA CA 365×190×250 AB CB 325×190×250
WTC150	560	14.5	220-240/50	1.1	1.5	5.8	48.5or50	9.0	AA CA 365×190×250 AB CB 325×190×250
WTC200	620	16	220-240/50	1.5	2.0	7.0	48.5or50	10	AA CA 365×190×250 AB CB 325×190×250

230V/60Hz, 110V/60Hz, 110V/50Hz models are available on request

NO.	Name
1	Tie-in Nut
2	Tie
3	O-Ring
4	cross recessed pan head screw and washer assemblies
5	Pump Cover
6	Impeller
7	Mechanical seal
8	O-Ring
9	Pump Casing
10	Motor

